

MATERIAL

Polyamide based (PA) technopolymer.

- Cover: RAL 2004 orange, semi-matte finish, marked "OIL".
- Connector: black colour, semi-matte finish.

MOUNTING

Push-fit on pipes with max outside diameter of 39 mm and min inside diameter of 32 mm.

CLIP

Black-oxide steel.

RING-SHAPED AIR FILTER

"Tech-foam" polyurethane foam mesh (polyester base), air filtration 40 µ.

MAXIMUM CONTINUOUS WORKING TEMPERATURE

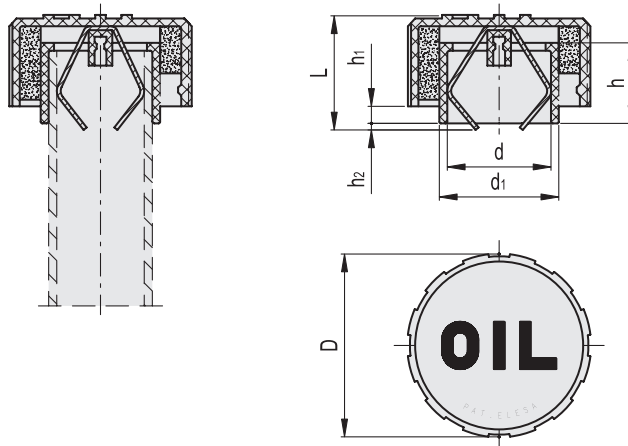
100°C.

SPECIAL EXECUTIONS ON REQUEST

- Cover, RAL 2004 orange, without "OIL" mark.
- Black cover with or without "OIL" mark.



ELESA Original design



| Conversion Table | |
|-------------------|------|
| 1 mm = 0.039 inch | |
| D | |
| mm | inch |
| 70 | 2.76 |

| Code | Description | d | D | L | d1 | h | h1 | h2 | ⚖ |
|-------|-------------|------|----|----|------|------|-----|-----|----|
| 54761 | SFN.70-PF+F | 39.5 | 70 | 43 | 45.5 | 27.5 | 2.5 | 6.5 | 67 |

- 1
- 2
- 3
- 4
- 5
- 6
- 7
- 8
- 9
- 10
- 11
- 12
- 13
- 14
- 15

Accessories for hydraulic systems